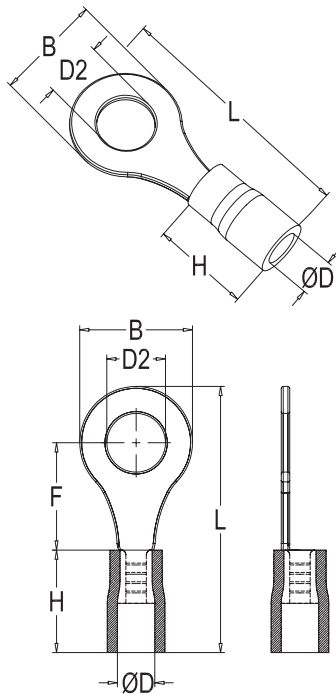


# RCCN 日成RF型绝缘端子 RF Insulated Ring Terminals



说明：本系列配套工具 YYT-1可定制特殊颜色，有起订量要求。1000PCS  
Use note: installed by tool YYT-1 Special Color can be produced with MOQ.

型号 Item No.	尺寸DIMENSION							颜色 Color
	AWG/mm <sup>2</sup> 最大电流 包装	螺栓口直径 Dia. of bolt D2	B mm	L mm	F mm	H mm	D $\phi$ mm	
RF1.25-3		3.2mm	5.7	17.8	4.95			
RFS1.25-3.5		3.7mm	5.7	17.8	4.95			
RFM1.25-3.5		3.7mm	6.6	20.1	6.3			
RFL1.25-3.5		3.7mm	8.0	21.5	7.0			
RFS1.25-4	22-16	4.3mm	6.6	20.1	6.3	10.0	4.3	红 Red
RFL1.25-4	0.5-1.5	4.3mm	8.0	21.5	7.0			
RF1.25-5	19A	5.3mm	8.0	21.5	7.0			
RFL1.25-5	1000PCS	5.3mm	9.8	23.0	8.5			
RFS1.25-6		6.5mm	9.8	23.0	8.5			
RF1.25-6		6.5mm	11.6	27.5	11.1			
RF1.25-8		8.4mm	11.6	27.5	11.1			
RF1.25-10		10.5mm	13.6	31.6	13.9			
RF1.25-12		13.0mm	19.2	36.0	16.5			
RF2-3		3.2mm	6.6	17.8	4.3			
RFS2-3.5		3.7mm	6.6	17.8	4.3			
RFM2-3.5		3.7mm	6.6	21.0	7.0			
RFL2-3.5		3.7mm	8.5	22.5	7.75			
RFS2-4	16-14	4.3mm	6.6	19.5	6.5			
RFL2-4	1.5-2.5	4.3mm	8.5	22.5	7.75	10.0	4.9	蓝 Blue
RFS2-5	27A	5.3mm	8.5	22.5	7.75			
RFL2-5	1000PCS	5.3mm	9.5	22.5	7.25			
RF2-6		6.5mm	12.0	27.6	11.0			
RF2-8		8.4mm	12.0	27.6	11.0			
RF2-10		10.5mm	14	31	13.9			
RF2-12		13.0mm	19.2	36.5	16.5			
RF3.5-4		4.3mm	8.0	24.5	7.7			
RFS3.5-5		5.3mm	8.0	24.5	7.7			
RFL3.5-5	14-12	5.3mm	12.0	27.9	7.7	13.5	6.7	黑 Black
RF3.5-6	2.5-4	6.5mm	12.0	27.9	7.7			
RF3.5-8	37A	8.4mm	15.0	32.0	13.5			
RF3.5-10	500PCS	10.5mm	15.0	32.0	13.5			
RF5.5-3.5		3.7mm	7.2	21.4	5.9			
RFS5.5-4		4.3mm	7.2	21.4	5.9			
RFL5.5-4		4.3mm	9.5	26.5	8.3			
RF5.5-5	12-10	5.3mm	9.5	26.5	8.3			
RF5.5-6	4-6	6.5mm	12.0	31	13.0	13.5	6.7	黄 yellow
RF5.5-8	48A	8.4mm	15.0	33.7	13.7			
RF5.5-10	500PCS	10.5mm	15.0	33.7	13.7			
RF5.5-12		13.0mm	19.2	38.1	16.0			
RF8-3		3.7mm	10.0	30.0				
RF8-4	8	4.3mm	10.0	30.0				
RF8-5	6-10	5.3mm	10.0	30.0				
RF8-6	62A	6.4mm	11.0	31.5		17.5	4.5	红 Red
RF8-8	100PCS	8.4mm	14.0	36.0				
RF8-10		10.5mm	18.0	39.5				
RF14-5		5.3mm	11.0	37.5				红 Red
RF14-6	6	6.4mm	11.0	37.5				
RF14-8	10-16	8.4mm	14.0	43.0		23.0	5.9	蓝 Blue
RF14-10	88A	10.5mm	18.0	45.0				
RF14-12	100PCS	13.0mm	18.0	45.0				